

SITA MANUAL CALL POINT

Sita Call Points are available with the option of an integral sounder – and are resettable

All Rafiki call points are designed to comply with the latest European standards: EN54 parts 3 and 11.

With the resettable element the need for replacement glass is negated as the unit may be reset using the key provided.

The test key is inserted into the front of the unit in order to allow its use wherever it may be sited. The user can test the call point with the test key or by depressing the element.

The Rafiki Sita call point also has the unique benefit of audible warning with an optional full specification built-in sounder offering 7 different sound patterns.

Every call point comes with an LED for indication of normal operation and Alarm.

There is no need to remove the front cover and the glass at installation; just one screw fixes the whole unit together.

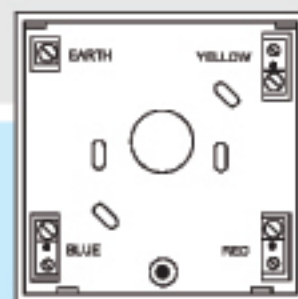
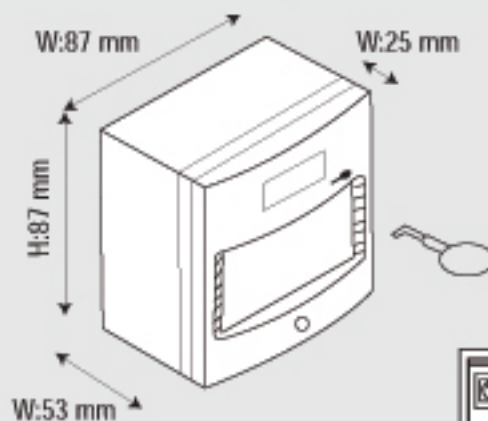
The back box can be fitted at the time of installation with other first fix items - the call point unit can be simply fitted in later. An adaptor plate is also supplied, for use with standard flush or surface back boxes.

The call point is connected to the back-box using simple flying-lead terminations



Technical specifications

Compatibility:	Sita 200 plus	
Operating Temperature:	-10°C to 50°C	
Voltage Range:	16 to 48v DC	
Operating Current:	Quiescent:	93uA
	MCP alarm:	4mA
	Sound low:	1.2mA
	Sound med:	4.1mA
Loading:	MCP:	0ALU
	Sounder low:	0.5 ALU
	Sounder med:	1 ALU
	Sounder hi:	2 ALU
Sound Outputs:	Low:	75dB(A)
	Mid:	85dB(A)
	High:	92dB(A)
LED Operation:	Quiescent:	20s interval
	Alarm:	0.3s interval
Part Code:	No sounder:	403 0002
	With sounder:	403 0012



rafiki
PROTECTION

Intelligent Fire Technology